



RevivalDRIVE Switcher Interface User Guide

V2

www.origineffects.com

ORIGIN EFFECTS is a trademark of Origin Effects Limited and is a registered trademark in the United States, United Kingdom, China and the EU.

The ORIGIN EFFECTS Totem Device is a trade mark of Origin Effects Limited and is a registered trademark in the United States, China and United Kingdom.

All other product names and trademarks are the property of their respective owners and are hereby acknowledged.

No part of this publication may be reproduced in any form or by any means, whether mechanical or electronic, without the written permission of Origin Effects Limited.

Origin Effects Limited reserves the right to change the features and specifications described herein without notice or obligation.

Origin Effects Limited cannot be held responsible for any loss or damage arising directly or indirectly from any error or omission in this manual.

© Origin Effects Limited 2024

Origin Effects LTD
Unit 4,
Top Angel,
Buckingham,
Buckinghamshire,
MK18 1TH
United Kingdom

Safety Notices:

Safety Instructions:

Intended use:

This device is intended for use as an controller expansion for the Origin Effects RevivalDrive pedal. Any other use or use under other operating conditions is considered to be improper and may result in personal injury or property damage. No liability will be assumed for damages resulting from improper use.

Safety:



DANGER!

Risk of injury and choking hazard for children!

Children can suffocate on packaging material and small parts. Never allow children to play with packaging material or the device. Always store packaging material out of the reach of babies and small children. Always dispose of packaging material properly when it is not in use. Never allow children to use the device without supervision. Keep small parts away from children and make sure that the device does not shed any small parts (such as knobs, rubber feet) that children could play with.



NOTICE!

Damage to device if powered incorrectly!

This product is designed to be powered from a 9VDC, >5mA power supply with 2.1mm centre-negative barrel connector. Use of an incorrectly rated power supply could result in damage to the pedal and the power supply.



NOTICE!

Possible staining due from rubber feet!

The plasticiser used in the manufacture of the rubber feet on this product may react with floor coatings and result in permanent dark stains after some time. If necessary, use a suitable mat to prevent direct contact between the device's rubber feet and the floor.

Introduction

The RevivalDRIVE Switcher Interface allows a remote switching system, such as the GigRig G2 or Boss ES-8, to remotely toggle the following functions on the RevivalDRIVE pedal:

| | |
|----------------|--------------------------|
| Active channel | Bypass state |
| Mid engage | Blend override functions |

The unit works by converting the four latching control switches to the combination of latching and momentary switching used by the RevivalDRIVE.

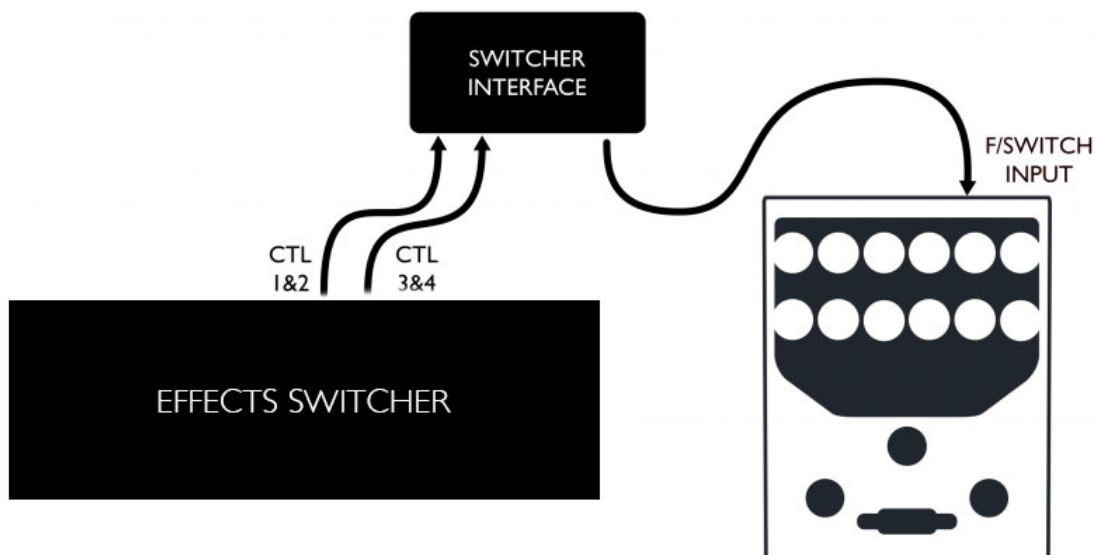
Connecting the Switcher Interface

Using standard TRS jack cables, connect **INPUT A** and **INPUT B** to your switching system's latching switch (CTL) outputs.

Connect **OUTPUT** on the Switcher Interface to the **F/SWITCH** input on the RevivalDRIVE, using a 1/4" TRS jack cable.

Connect a regulated 9V power supply with a 2.1mm centre-negative connector power to the 9VDC IN socket. Powering additional devices from the **9VDC THRU** will increase the overall current draw, be careful not to exceed the rating for your power supply.

| | |
|---|------------------------------------------------------------------------------------------------------------------------------------------------------------------------------------------------------------------------------------------------------------------------------------------------|
| ! | <p>NOTICE! Damage to device if powered incorrectly!</p> <p>This product is designed to be powered from a 9VDC, >5mA power supply with 2.1mm centre-negative barrel connector. Use of an incorrectly rated power supply could result in damage to the pedal and the power supply.</p> |
|---|------------------------------------------------------------------------------------------------------------------------------------------------------------------------------------------------------------------------------------------------------------------------------------------------|

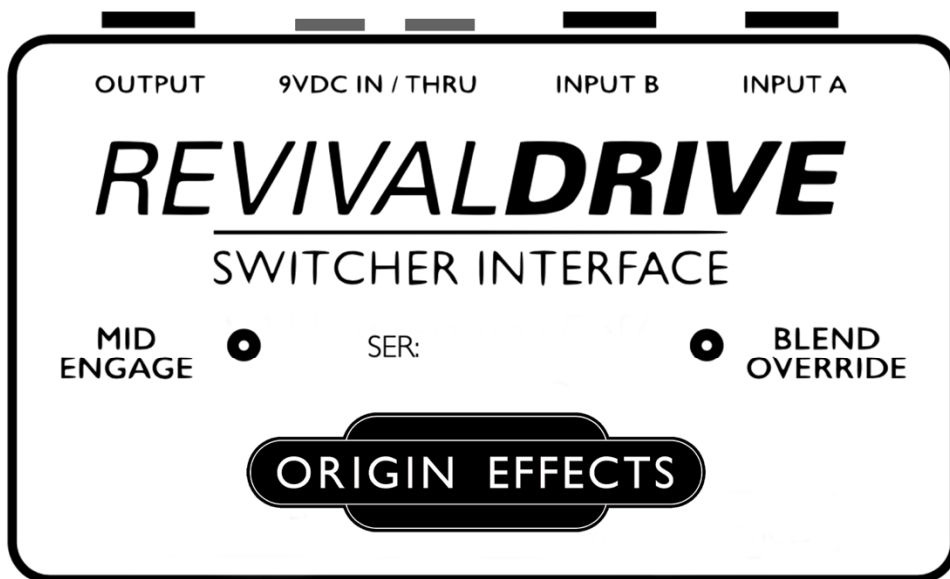


NOTE: Remote switching of the bypass state and active channel can only be achieved with the Switcher Interface. The interface converts latching control formats to a short momentary pulse. In the unlikely

event of power loss, the user may find that switcher-to-pedal synchronisation is lost. To re-sync the set-up the user should toggle the affected function directly on the pedal, by pressing the appropriate footswitch.

Appendix A - Connections

| CONNECTOR | TYPE | FUNCTION |
|-----------|--------------|------------------------------------------------------------------------------------------------------|
| INPUT A | TRS | Connects to Remote Switcher. Controls bypass state and channel. |
| INPUT B | TRS | Connects to Remote Switcher. Controls mid engage and blend override. |
| THRU | 2.1mm barrel | Connects to an additional pedal. Provides a 9V DC centre negative "daisy-chain" power connection. |
| 9VDC IN | 2.1mm barrel | Connects an external power supply. Provides power to unit. 9VDC, centre negative. |
| OUTPUT | TRS | Connects to F/SWITCH socket on RevivalDRIVE. Controls pedal functions. |



Appendix B – Physical Specification

| | BOXED | | UNBOXED | |
|---------------|--------|-----------|---------|-----------|
| WEIGHT | 185 g | 0.40 lb | 184 g | 0.40 lb |
| LENGTH | 130 mm | 5.11 inch | 115 mm | 4.53 inch |
| WIDTH | 85 mm | 3.34 inch | 65 mm | 2.56 inch |
| HEIGHT | 50 mm | 1.96 inch | 35 mm | 1.38 inch |

Appendix C – Technical Specification

| MEASUREMENT | VALUE |
|--------------|------------------------------|
| Current Draw | 5 mA |
| Power Supply | 9V DC 2.1 mm centre-negative |

Appendix D – Environmental information



The crossed out wheeled bin symbol indicates this product is classified as Waste Electrical and Electronic Equipment (WEEE) in the European Union and should not be discarded with household waste. Other territories may vary. Contact your local authority or Origin Effects for more information.



The packing materials for this product are recyclable. Do not dispose of these materials with your normal household waste. Please refer to the symbols on the packaging for recycling information. Contact your local authority for further guidance on recycle in your region.



Les matériaux d'emballage sont recyclables.



Points de collecte sur www.quefairemesdechets.fr
Privilégiez la réparation ou le don de votre appareil!

Appendix E – Warranty

This product is covered by a 2-year manufacturer's warranty from the date of purchase. This applies only to original purchasers who have bought their product from an authorised Origin Effects dealer or directly from Origin Effects.

All returns or servicing should be arranged through the original dealer. Proof of original ownership may be required in the form of a purchase receipt.

For full warranty details visit www.origineffects.com/warranty